



CG400

Camcorder User's Guide

FPO

We bring good things to life.

Product Registration

Please fill out the product registration card and return it immediately. Returning this card allows us to contact you if needed.

Keep your sales receipt to obtain warranty parts and service and for proof of purchase. Attach it here and record the serial and model numbers in case you ever need them. The numbers are located on the bottom of your camcorder.

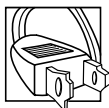
Model No: CG400

Serial No: _____

Purchase Date: _____

Purchased From: _____

SAFETY PRECAUTIONS



Your video camcorder's AC adapter/charger will operate on 100-240 volts AC, 50/60 Hz, and has a polarized plug. Because one blade of the plug is wider than the other, the plug fits in the wall socket only one way. Do not defeat the safety feature of this plug. If you need an extension cord, use a polarized extension cord.

CAUTION: TO PREVENT ELECTRIC SHOCK, MATCH WIDE BLADE OF PLUG TO WIDE SLOT, FULLY INSERT.

ATTENTION: POUR ÉVITER LES CHOCS ÉLECTRIQUES, INTRODUIRE LA LAME LA PLUS LARGE DE LA FICHE DANS LA BORNE CORRESPONDANTE DE LA PRISE ET POUSSER JUSQU' AU FOND.

CAUTION: TO REDUCE THE RISK OF ELECTRIC SHOCK, DO NOT REMOVE THE COVER (OR BACK). NO USER-SERVICEABLE PARTS ARE INSIDE. IF YOU SPILL LIQUID ON THE CAMCORDER OR ADAPTER/CHARGER, DISCONNECT THE AC ADAPTER/CHARGER'S POWER CORD TO PREVENT POSSIBLE FIRE OR SHOCK HAZARD AND CONSULT AUTHORIZED SERVICE PERSONNEL. MOISTURE CAN DAMAGE INTERNAL PARTS. REFER ALL SERVICE TO AUTHORIZED GE CAMCORDER SERVICENTER PERSONNEL ONLY.

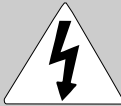
CAUTION: READ “IMPORTANT SAFETY INSTRUCTIONS FOR AC ADAPTER/CHARGER” *ON THE NEXT PAGE* BEFORE USING THE AC ADAPTER/CHARGER.

CAUTION: MAINTAIN ELECTRICAL SAFETY. POWERLINE-OPERATED EQUIPMENT OR ACCESSORIES CONNECTED TO THIS UNIT SHOULD BEAR THE UL LISTING MARK OR, IF PURCHASED AND USED IN CANADA, THE C-UL OR CSA CERTIFICATION MARK ON THE ACCESSORIES THEMSELVES AND SHOULD NOT HAVE BEEN MODIFIED SO AS TO DEFEAT THE SAFETY FEATURES. THIS WILL HELP AVOID ANY POTENTIAL HAZARD FROM ELECTRIC SHOCK OR FIRE. IF IN DOUBT, CONTACT QUALIFIED SERVICE PERSONNEL.

WARNING: TO REDUCE THE RISK OF FIRE OR SHOCK HAZARD, DO NOT EXPOSE CAMCORDER OR AC ADAPTER/CHARGER TO RAIN OR MOISTURE.

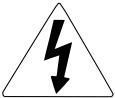
CAUTION

RISK OF ELECTRIC SHOCK
DO NOT OPEN



AVIS

RISQUE DE CHOC ELECTRIQUE
NE PAS OUVRIR



The symbol of a lightning flash within a triangle is intended to alert the user to the presence of

uninsulated “dangerous voltage” within the product’s enclosure and which may be of sufficient magnitude to constitute a risk of electric shock.



An exclamation point within a triangle is intended to alert the user to the presence of

important operating and maintenance (service) instructions in the literature accompanying the product.

CAUTION: AVOID OPERATING YOUR CAMCORDER IMMEDIATELY AFTER MOVING IT FROM A COLD LOCATION TO A WARM LOCATION. GIVE THE CAMCORDER 1-1/2 TO 2 HOURS TO REACH A STABLE TEMPERATURE BEFORE INSERTING A VIDEO CASSETTE. WHEN MOVED FROM A COLD AREA TO A WARM LOCATION, MOISTURE MAY CONDENSE ON THE HEAD DRUM INSIDE THE MACHINE. THIS MOISTURE COULD CAUSE THE TAPE TO STICK TO THE HEADWHEEL AND DAMAGE THE HEADWHEEL OR TAPE.

Important Safety Instructions for AC Adapter/Charger

Before using the AC adapter/charger, read all instructions and cautionary markings on (1) AC adapter/charger, (2) battery, and (3) product using battery.

Caution: To reduce risk of injury, charge only rechargeable batteries recommended for this camcorder. Other types of batteries may burst causing personal injury and damage.

Do not expose the adapter/charger to moisture of any kind.

Use of an attachment not recommended or sold by the battery charger manufacturer may result in a risk of fire, electric shock, or injury to persons.

To reduce risk of damage to electric plug and cord, pull out the cord with the plug rather than the cord when disconnecting the adapter/charger from the wall outlet.

Make sure the cord is located so that it will not be stepped on, tripped over, or otherwise subjected to damage or stress.

Use of an improper extension cord could result in a risk of fire and electric shock.

If an extension cord must be used, make sure that:

1. Pins on the plug of the extension cord are the same number, size, and shape as those of the plug on the adapter/charger.

2. Extension cord is properly wired and in good electrical condition, and

3. Wire size below is met:

Minimum AWG Size	Length of Extension Cord (Feet)
18	Equal to or less than 100
16	Equal to or less than 150

Do not operate adapter/charger with a damaged cord or plug. Replace it immediately.

Do not operate adapter/charger if it has received a sharp blow, been dropped, or otherwise damaged in any way. Take it to a qualified serviceman.

Do not disassemble charger. Take it to an Authorized GE Camcorder Servicer when service or repair is required. Incorrect reassembly may result in a risk of electric shock.

To reduce risk of electric shock, unplug charger from outlet before attempting any maintenance or cleaning.

Be sure to save these operating instructions for future reference.

CAUTION: FCC REGULATIONS STATE THAT ANY UNAUTHORIZED CHANGES OR MODIFICATIONS TO THIS EQUIPMENT MAY VOID THE USER'S AUTHORITY TO OPERATE IT.

CAUTION: THE UNAUTHORIZED RECORDING OF TELEVISION PROGRAMS AND OTHER MATERIALS MAY INFRINGE THE RIGHTS OF OTHERS.

Table of Contents

Product Registrationi	Recording
Safety Precautionsi-iii	• Video Cassettes18
Recording and Traveling Tips2	• Recording Operation.....19
Optional Accessories3-7	• <i>PLAY/CAM</i> Mode20
• Accessory Order Form.....5-7	• Zooming.....20
First-Time Operation	• Viewfinder20
• Unpack the Camcorder and Accessories.....8	• Flying Erase Head.....20
• Use an Adapter/Charger or Battery to Supply Power9	• Microphone20
• Attach Lens Cap Cord and Adjust Handstrap.....9	• Blank Search21
• Insert a Cassette10	• Time Counter21
• Turn On the Camcorder10	Playback
• Adjust the Viewfinder Focus10	• Playback on TV (or VCR) with <i>AUDIO/VIDEO IN</i> Jacks.....22
• Start and Stop Recording10	• Playback on a TV Using the Antenna Connector.....23
• Review the Camcorder Controls....11	• Playback Features24
• Review LCD Window Displays.....12	Picture Search24
Powering Your Camcorder	Fast Forward or Rewind24
• Using the Adapter/Charger13	Stop-Action Pause24
• Using the Battery14-16	References
• Using the Optional Car Cord Adapter/Charger17	• Care and Maintenance.....25
	• Things to Avoid25
	• Trouble Checks.....26-27
	• Information to User.....27
	• Specifications.....28
	• Limited Warranty.....29
	• Index (Alphabetical).....30-31

Recording and Traveling Tips

Recording Tips

- In case of fire or theft, make a video recording of your home and contents to store in a safe place.
- Try to make sure indoor scenes are well-lit. This improves picture quality and color reproduction.
- Do not bump or tap the camcorder's microphone while recording because this sound will be recorded.
- Do not move the camcorder rapidly from side-to-side while recording. A steady, gradual "pan" avoids blurring and "jitter".
- Use the viewfinder to make sure the camcorder is level while recording or your scenes will appear "tilted".
- Be aware of video and audio backgrounds. Background details barely noticed while you are taping may show up as visual "clutter" on your recording. Background noises (especially TV sets, radios, household appliances, traffic sounds, etc.) can detract from the sound you want to record.
- Avoid long "still" shots of landmarks and scenic attractions. Recordings are more interesting if they include people and details. "Local color" will give travel videos lasting appeal. Consider recording a familiar or landmark scene from an unfamiliar vantage point.
- Include close-up shots of individuals when taping family or group functions.

Traveling Tips

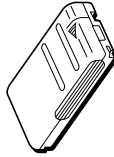
- Write down your camcorder's serial number for identification if your camcorder is lost or stolen.
- Use extra care to avoid damage to your camcorder and accessories when operating them at a beach or pool. Spray, sand, and dust should be avoided. If your lens has been exposed to the elements, clean it only with proper lens cleaning supplies.
- Do not transport your camcorder attached to a tripod.
- Make sure you have any plug adapters that you may need before taking your camcorder to other countries. Consult your dealer for advice.
- Carry your camcorder in a carrying case when traveling. *See page 3* for a case designed especially for this camcorder. An ordinary suitcase or carry bag does not offer the protection your camcorder needs. Treat your camcorder as carry-on luggage to protect it from rough handling.

Optional Accessories

We invite you to take a look at some great ideas for sparking creativity and adding to the fun of using your camcorder. The following pages have a selection of accessories to help make the process of recording and watching your videos more enjoyable.

To order accessories, contact your local dealer. If a dealer is not nearby, accessories are available through toll-free ordering or by using the order form *on page 5*.

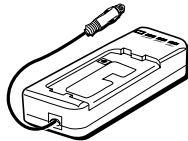
AV608 (One Hour) Rechargeable Battery



This rechargeable nickel-cadmium battery is designed specifically for long life. The AV608 powers your camcorder up to one hour (depending on how much you use pause). It can be recharged with the AC adapter/charger that came with your camcorder.

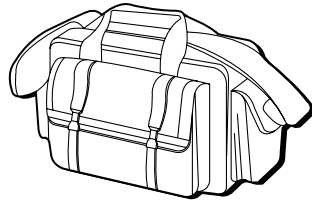
DCC05 Car Cord Adapter Charger

This car cord adapter/charger enables you to operate your camcorder from your car, truck, or RV by plugging the car cord directly into the vehicle's cigarette lighter socket. It will also charge the AV608 battery supplied with the camcorder. The DCC05 is specially designed to convert power from the 24-volt or 12-volt battery to a 6.5 volt output.



Caution: Do not use any other car cord with this camcorder.

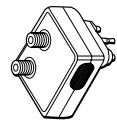
AC025A Soft Carrying Case



Custom compact soft case is designed to provide protection and utility for your camcorder and most accessories. The rugged fabric is lined with soft non-abrasive material and generous padding. It has three outside pockets with storage for adapters, batteries, and tapes.

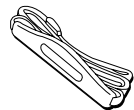
CRF800 RF Output Adapter

This adapter is used with a coaxial RF cable to connect your camcorder to a standard TV (one without audio/video input jacks) for playback.



218555 Shoulder Strap

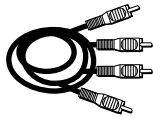
This adjustable shoulder strap makes carrying the 8mm camcorder easy.



All specifications and descriptions of accessories are subject to change without notice.

Audio/Video Cables

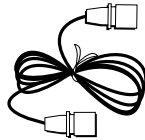
(AH069G 3-ft /
AH070G 5-ft)



These cables are shielded for connecting *AUDIO* and *VIDEO* jacks. They have RCA-type phono plugs on each end.

Coaxial RF Cables (AH065G 6-ft / AH066G 10-ft)

These RF cables are used with the RF output adapter to connect your camcorder to a standard TV (one without audio/video input jacks) for playback. You may need other accessories.



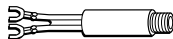
193983 Cable Transformer

This 300-to-75 ohm transformer is used to connect a standard (300 ohm) antenna twin-lead to a standard round 75-ohm connector.



AH011 Cable Transformer

This 75-to-300 ohm transformer is used to connect a standard 75 ohm antenna cable to the 300-ohm screw terminals on a TV.

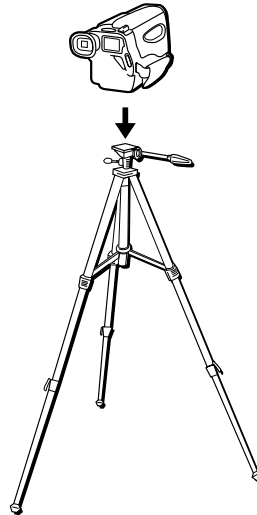


AH25 Y-Adapter

This Y-adapter allows you to connect your camcorder's mono audio cable to a stereo TV or VCR.

Optional AC088 Tripod

Mounting the camcorder on a tripod, such as AC088, will keep the camcorder steady. This tripod's fluid-effect head provides smooth camera pan and tilt. The grooved, tubular 3-section leg design folds down to 26" when not in use. Rubber feet allow for sure footing.



Cautions: Before using a tripod, make sure it is stable enough to hold the camcorder without falling over.

When attaching your camcorder to a tripod, be careful not to force the tripod screw into the camcorder's tripod mounting hole.

The tripod screw should not protrude into the camcorder more than approximately three-eighths (3/8) inch. Forcing the screw could damage the mounting hole on the bottom of the camcorder.

Do not transport camcorder attached to tripod.

All specifications and descriptions of accessories are subject to change without notice.

Order Form for Camcorder Model CG400

Description	Part No.	Price	Qty.	Total
Soft Camcorder Case	AC025A	\$ 59.95		
Super Lightweight Tripod	AC088	\$ 39.95		
75-300 Ohm Cable Transformer	AH011	\$ 1.90		
RF Coaxial Cable (6-ft.)	AH065G	\$ 6.99		
RF Coaxial Cable (10-ft.)	AH066G	\$ 8.99		
Audio/Video Cable (3-ft.)	AH069G	\$ 5.99		
Audio/Video Cable (5-ft.)	AH070G	\$ 7.99		
Y-Adapter	AH25	\$ 1.95		
Rechargeable Battery (1 Hr.)	AV608	\$ 49.95		
AC Adapter/Charger	CPS801C	\$189.95		
RF Output Adapter	CRF800	\$ 49.95		
Car Cord Adapter/Charger	DCC05	\$ 169.95		
DC Cable for Adapter/Charger	DCC100	\$ 14.95		
300-75 Ohm Cable Transformer	193983	\$ 6.95		
Shoulder Strap	218555	\$ 13.95		

Prices are subject to change without notice.

Total Merchandise (\$10 Minimum Order).....\$ _____

Sales Tax.....\$ _____

We are required by law to collect the appropriate sales tax for each individual state, county, and locality to which the merchandise is being sent.

Shipping, Handling, and Insurance.....\$ **5.00**

Total Amount Enclosed.....\$ _____

Use VISA or MasterCard preferably. Money order or check must be in U.S. currency only. No COD or cash.

- Allow 8 weeks for delivery.
- All accessories are subject to availability.
- Where applicable, we will ship a superseding model.

Detach Here



Charge your order on your VISA
or MasterCard by
filling in below

USE YOUR CREDIT CARD



IMPORTANT: Copy complete account number
from your VISA card

--	--	--	--	--	--	--	--	--	--	--	--	--	--	--	--	--	--	--	--	--

My card expires:

--	--

--	--



IMPORTANT: Copy complete account number
from your MasterCard

--	--	--	--	--	--	--	--	--	--	--	--	--	--	--	--	--	--	--	--	--

Copy Number
above your
name on
MasterCard

--	--	--	--	--	--

My card
expires:

--	--

--	--

AUTHORIZED SIGNATURE

Prices are subject to change without notice.

Print or type your name and
address clearly. This will be your
mailing label.



A complete and correct order will
save you days of waiting.

Name: _____
Street: _____
_____ Apt: _____
City: _____
State: _____ Zip: _____

Please make sure that both sides of this form have
been filled out completely.

Detach Here 

To order accessories, contact your local dealer.

If a dealer is not nearby, you can also follow the directions below to order by telephone or direct-by-mail.

United States and Canada Orders

To place your order by phone, have your Visa or MasterCard ready and call the toll-free number listed below between 8AM and 8PM Eastern Standard Time. **Use this number only to place an order for accessory items listed on this order form.**

1 – 800 – 338 – 0376

Most times your order will be shipped UPS within 72 hours of receipt. If ever it is not possible to ship within 30 days, we will notify you with an update on your order and an option to cancel.

To place your order by mail, detach and mail the completed order form with credit card information, money order, or check in U.S. currency (made payable to Thomson Consumer Electronics, Inc.) to the following address:

Video Accessories
PO Box 8419
Ronks, PA 17573

For more information on these accessories (or current prices), write to the following address:

Video Accessories Customer Service
Thomson Consumer Electronics, Inc.
Distributor & Special Products
2000 Clements Bridge Rd
Deptford, NJ 08096-2088

International Orders

This offer is valid only in the United States and Canada. For international orders, please send your request for a price quotation (not an order) to:

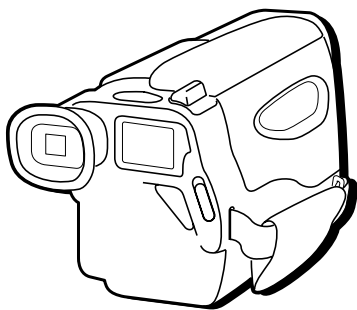
International Customer Service
Thomson Consumer Electronics, Inc.
Distributor & Special Products
2000 Clements Bridge Rd
Deptford, NJ USA 08096-2088

First-Time Operation

This section describes only the basic steps necessary to set up your camcorder to record. Refer to the other sections for detailed operation and feature options.

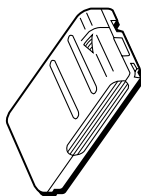
Unpack the Camcorder and Accessories

The items shown below are packed with your camcorder. If any are missing or appear damaged, contact your dealer immediately.

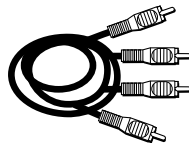


Model CG400

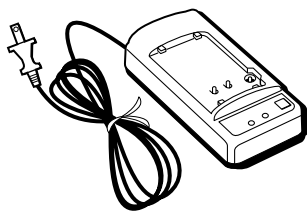
WARNING:
NICKEL CADMIUM
BATTERY MUST BE
DISPOSED OF
PROPERLY.



Rechargeable Battery
Part No. AV608



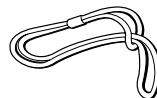
Audio/Video Output Cable
Part No. 217496



AC Adapter/Charger
Part No. CPS801C



DC Connecting Cord
Part No. DCC100



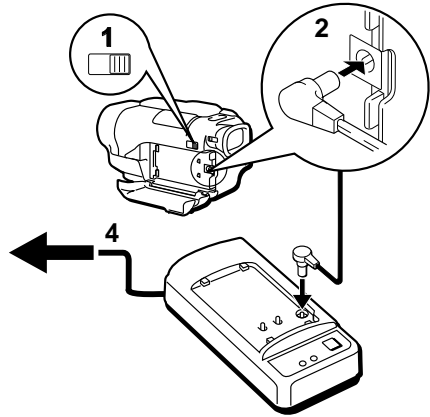
Lens Cap Cord
Part No. 224176

Caution: Do not use this adapter/charger for any other purpose other than charging the AV608 battery pack or supplying power to the camcorder.

Use an Adapter/Charger or Battery to Supply Power

Attaching the Adapter/Charger

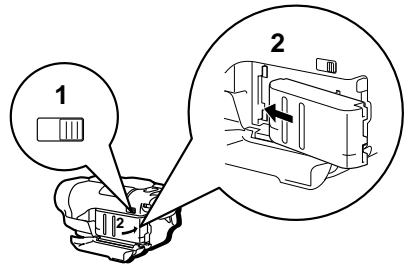
1. Slide the *OPEN-BATT* button to open the battery compartment. Carefully open the compartment fully.
2. Insert the DC connecting cord from the DC output terminal on the AC adapter/charger to the DC input terminal on the camcorder.
3. Close the battery compartment.
4. Plug the AC adapter/charger power cord into an AC operating outlet.
The adapter/charger's *POWER* indicator lights.



Installing the Battery

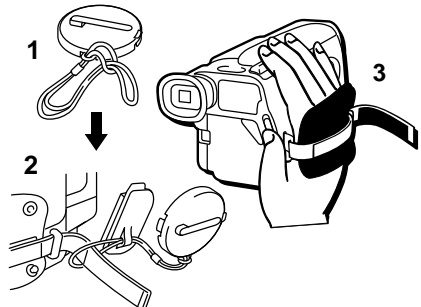
The battery pack is not charged and must be charged before it can be used the first time. *Details are on page 14.*

1. Slide the *OPEN-BATT* button to open the battery compartment.
2. Insert the battery sideways as shown and snap into place.
To remove the battery, slide it toward the back of the camcorder and lift out.
3. Close the battery compartment.



Attach Lens Cap Cord and Adjust Handstrap

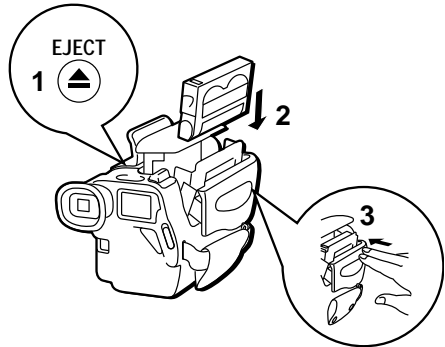
1. Remove lens cap and attach the cord to the lens cap.
2. Pull up the flap, run the cord through the A/V terminal cover, and attach to the handstrap.
3. Adjust the strap for comfort, attach the lens cap cord, and then close the flap.



Tips: Make sure the end of the strap is positioned securely before closing the flap.
The lens cap can be clipped onto the handstrap.

Insert a Cassette

1. Press the *EJECT* button to open the cassette compartment.
2. Insert the cassette so the safety tab is at the top; the flap is at the bottom; and the tape window faces out.
3. Gently press the compartment where it is labeled *PUSH* until it clicks into place. The top closes automatically so do not press down on the top as it may damage the camcorder.



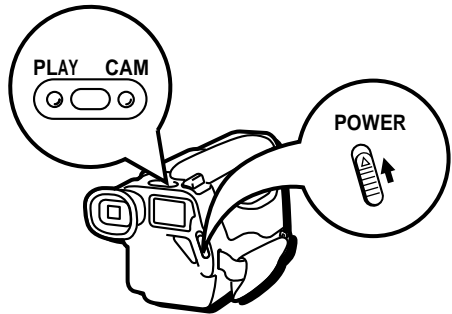
Turn On the Camcorder

Slide the *POWER* switch upward to turn the camcorder on (or off).

Tips: Whenever the camcorder is powered on, it turns on in the *CAMERA* mode. If it does not, press the *PLAY/CAM* button until the red indicator lights

If you do not record within three minutes, the camcorder shuts off to reserve power.

The displays appear in the LCD window with **REC** and **||** flashing. The red light (located just inside the viewfinder rim) flashes during record-pause.



Adjust Viewfinder Focus

Slide the eyepiece focus control back or forth to obtain the clearest possible picture.

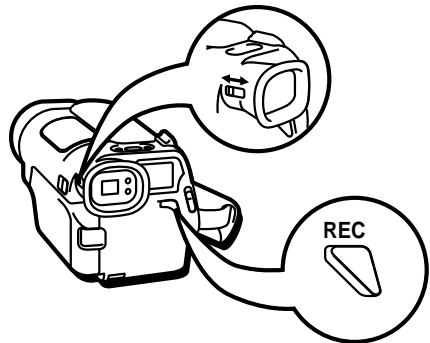
Start and Stop Recording

Press and release the *REC*: Record Start/Stop button (thumb trigger) to start recording.

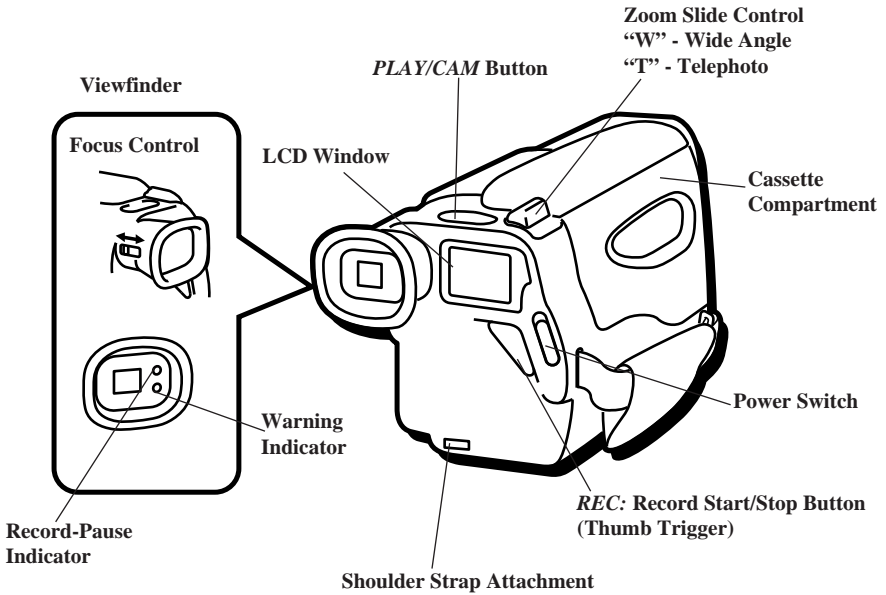
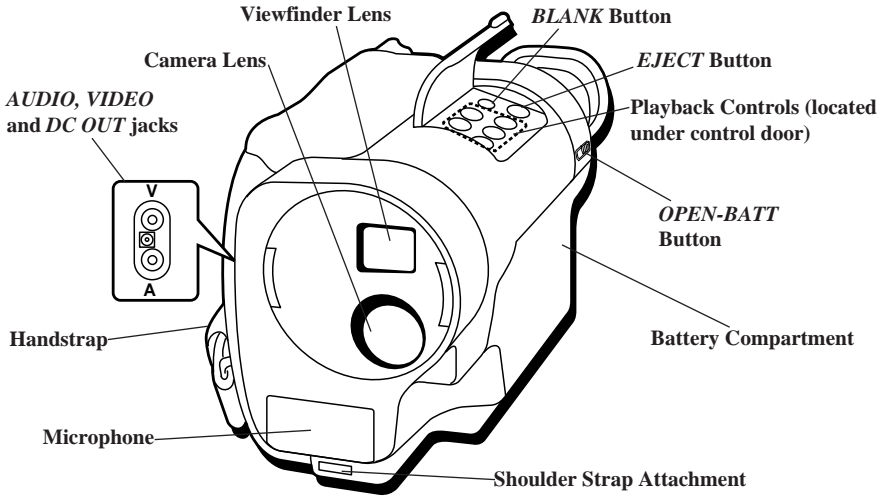
Tips: The **REC** and **||** in the LCD window and red light inside viewfinder rim remain on but stop flashing.

Use the thumb trigger for brief recording pauses. If you plan to stop recording for a longer period, turn the camcorder off.

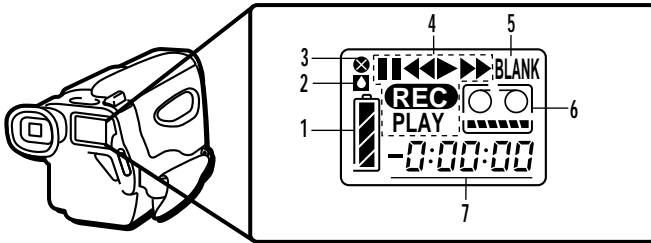
Go to pages 22-24 for playing back your recording.



Review the Camcorder Controls



Review LCD Window Displays



1. Battery Level Indicator ()

Indicates the amount of power remaining in the battery. *Details are on page 15.*









2. Dew Warning ()

Flashes when excessive moisture (condensation) has entered the camcorder. The camcorder will not operate when this warning appears; wait until the warning disappears before you operate.

3. Head Clog Warning ()

Flashes when the video head is clogged or dirty. Contact an Authorized GE Camcorder Servicenter.

4. Status Displays


-  : Recording
-  Flashing : Record-Pause
-  : Playback
-  : Play-Pause
-  : Rewind
-  : Fast Forward
-  : Rewind Search
-  : Fast Forward Search
- PLAY : Playback Mode

5. BLANK Indicator

Displayed when the Blank Search feature is used during recording or playback mode. *BLANK* flashes when searching a recorded portion of the tape and lights for a blank portion.

6. Tape Remaining Indicator ()

Indicates the amount of tape remaining.

 Tape is five minutes from the end.

 Flashes when:

- Tape is at end
- Moisture in the camcorder or cassette
- No cassette in camcorder
- You try to record on a cassette that has the safety closed

7. Elapsed Time-Counter (-0:00:00)

The counter appears during recording and playback. It is not recorded onto the tape. Inserting or removing a tape resets it to “0:00:00”.

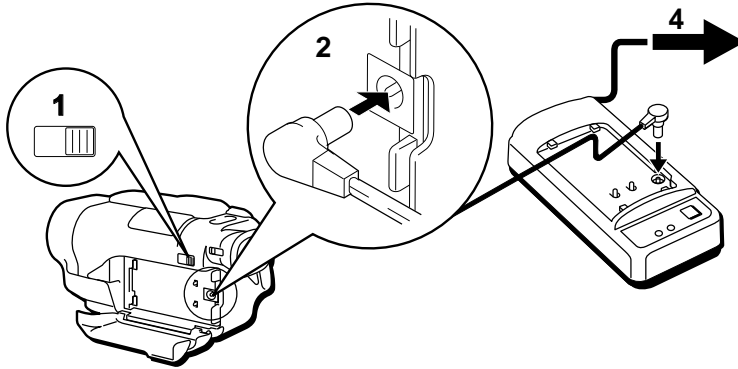
Powering Your Camcorder

This section describes three ways to supply power to your camcorder:

- AC Adapter/Charger
- Battery
- Car Cord Adapter (Optional)

Using the Adapter/Charger

The adapter/charger lets you power your camcorder directly from standard household power. It operates on 100-240 volts, 50/60 Hz, so it can be used virtually anywhere in the world to power the camcorder or recharge the battery. You may need a plug adapter in some countries. Consult your dealer.



To Attach Adapter/Charger:

1. Slide the *OPEN-BATT* button to open the battery compartment. Carefully open the compartment fully.
2. Plug one end of the DC power cord into the *DC OUT* jack on the adapter/charger and the other end into the *DC IN 6.5V* jack on the side of the camcorder.
3. Close the battery compartment.
4. Plug the AC adapter/charger power cord into an AC operating outlet. The adapter/charger's *POWER* indicator lights.

Tip: The battery level indicator has no meaning when you power the camcorder with the adapter/charger.

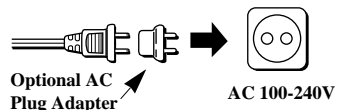
Caution: Do not use this adapter/charger for any purpose other than charging recommended battery or supplying power to the camcorder.

To Remove the Adapter/Charger:

1. Unplug the adapter/charger from the wall outlet.
2. Disconnect the DC power cord from the camcorder and adapter/charger.

Using Optional AC Plug Adapter

An optional plug adapter may be required in some countries.



1. Plug the adapter/charger's plug into the AC plug adapter.
2. Plug the AC plug adapter into the AC outlet.

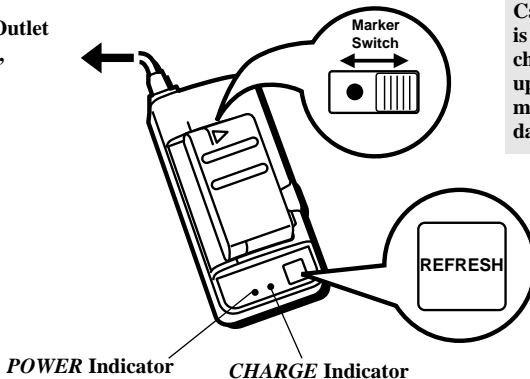
Using the Battery

The supplied battery pack is not charged and must be charged *as described below* before it can be used the first time.

Tips: Conserve battery power by turning the camcorder off during short recording breaks.

Use the small marker switch on the top of the battery to help you remember to recharge the battery. It has no other function.

To AC Wall Outlet
100-240 Volts,
50/60 Hz.



Caution: When a battery is attached to the adapter/charger, do not turn them upside down. The battery may fall off and be damaged or cause injury.

Charging and Refreshing the Battery

The nickel cadmium battery provides longer operation time if it is refreshed (completely discharged) before every charging. Refreshing a battery takes approximately 3-1/2 hours.

To Charge a Battery:

1. Plug adapter/charger into an AC outlet (100-240V, 50/60Hz).
The *POWER* indicator lights.
2. Align the reference marks on the battery with marks on the adapter/charger and slide the battery in the direction of the arrow until it locks.
The *CHARGE* indicator lights while battery is charging.
3. Remove the battery when the *CHARGE* indicator turns off.

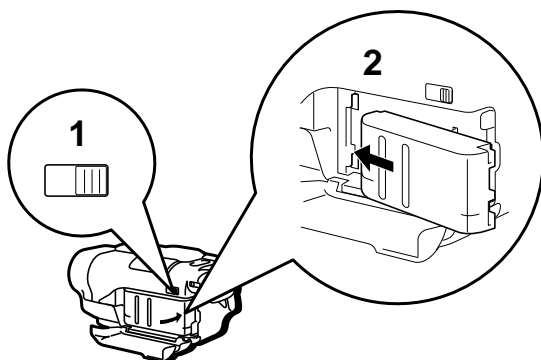
Tips: Make sure AC power cord is removed from the outlet when finished.

If the *CHARGE* indicator flashes rapidly, this may indicate the battery is improperly installed. Remove it and try again. If the *CHARGE* indicator still flashes rapidly, it may indicate the battery pack cannot be used. Please consult your dealer for assistance.

To Refresh a Battery:

1. Plug in the adapter/charger and attach the battery.
2. Press *REFRESH*.
The *CHARGE* indicator flashes slowly and any remaining charge in the battery is discharged. The *CHARGE* indicator then stops flashing and the battery pack is recharged.
3. Remove the battery when the *CHARGE* indicator turns off.

Installing the Battery



Battery Safety Precautions:

- Do not short the battery's terminals.
- Do not attempt to disassemble or modify the battery. There are no user-serviceable parts inside.
- Do not throw the battery into a fire or expose it to excessive heat—over 149°F (65°C). This could be hazardous.
- Use the battery only with specified adapter/chargers and camcorders.

To Install a Battery:

1. Slide the *OPEN-BATT* button to open the battery compartment.
2. Insert the battery sideways as shown and snap into place.
3. Close the battery compartment.

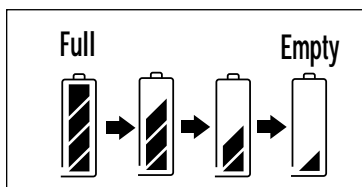
To Remove a Battery:

1. Slide the *OPEN-BATT* button to open the battery compartment.
2. Slide the battery towards the back of the camcorder and lift out.
3. Close the battery compartment.

Battery Level Indicator

A battery level indicator appears in the LCD window to show how much battery power remains. When the battery is empty, the indicator flashes and the camcorder shuts off.

Tip: The battery level indicator has no meaning when you power the camcorder with the adapter/charger or optional car cord.



ATTENTION: THE PRODUCT THAT YOU HAVE PURCHASED CONTAINS A RECHARGEABLE BATTERY. AT THE END OF ITS USEFUL LIFE, UNDER VARIOUS STATE AND LOCAL LAWS, IT MAY BE ILLEGAL TO DISPOSE OF THIS BATTERY INTO THE MUNICIPAL WASTE STREAM. CHECK WITH YOUR LOCAL SOLID WASTE OFFICIALS FOR DETAILS IN YOUR AREA FOR RECYCLING OPTIONS OR PROPER DISPOSAL.



Ni - Cd

Battery Care and Storage

Do not store a battery pack where it can reach high temperatures.

Remove the battery from the camcorder when it is not in use to prolong the battery life.

Recharge the battery just before it is used. If the battery is recharged and not used, it will slowly lose its charge.

Make sure to exhaust the charge of the battery pack completely when recording. If the battery pack is recharged when the previous charge is not completely exhausted, the charge time gradually decreases.

Charge the battery within a temperature range of 10°C to 30°C (50°F to 86°F) to prevent damage.

After repeated chargings and use, the operation time decreases gradually . When the operation time becomes too short to be useful, it is time to replace the battery.

The battery pack charging/operating time in the table are approximate.

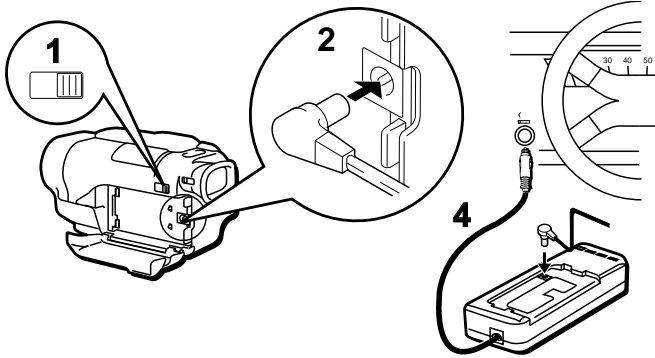
Model	AV608
Operating time	80 min.
Charging time	60 min.
Refresh time	210 min.

The operating time of the battery may be shorter than normal even after a full charge:

- If it is used for the first time.
The operating time is restored to its original level after the battery has been used two or three times (completely discharged and recharged) or after it has been recharged using the *REFRESH* function.
- If it is used in low temperatures.
- If it is discharged completely and stored for a long period (more than 3 months).
- If it is stored at temperatures above 40°C (104°F).
- If the record-pause mode is used frequently.
- If loading and unloading the cassette is used excessively.

Using the Optional Car Cord Adapter/Charger

This adapter/charger lets you power your camcorder from the cigarette lighter socket of a car, truck, or RV. It converts 24- or 12-volts to a 6.5-volt output. It can also charge the battery that came with your camcorder. Consult the operating instructions enclosed with the DCC05.



1. Slide the *OPEN-BATT* button to open the battery compartment. Carefully open the compartment fully.
2. Plug one end of the DC power cord into the *DC OUT* jack on the car cord adapter/charger and the other end into the *DC IN 6.5V* jack on the side of the camcorder.
3. Close the battery compartment.
4. Insert the DCC05's plug into the vehicle's cigarette lighter socket.

The *POWER* indicator on the DCC05 will light.

Tip: The battery level indicator has no meaning when you power the camcorder with the optional car cord adapter/charger.

Cautions: The DCC05 is designed to be used only with vehicles having negative ground electrical systems.

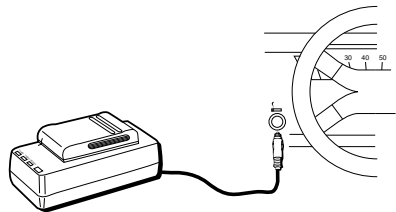
Do not use any other car cord with this camcorder. Other car cords may damage your camcorder and void your warranty.

Make sure the camcorder's power is turned off before removing the car cord's plug from the cigarette lighter socket.

Using DCC05 to Charge the Battery

1. Remove DC power cord if it is attached.
2. Attach battery as shown to the right.
3. Insert the DCC05's plug into the cigarette lighter socket.

Tip: *POWER* indicator on the DCC05 lights.

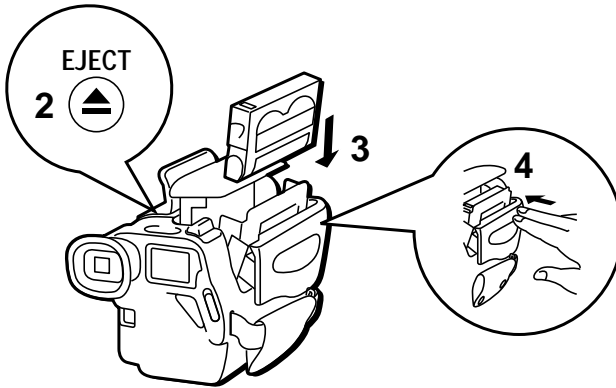


Recording

Video Cassettes

We recommend that our cassettes be used with your camcorder. Use of poor quality or damaged tapes can contaminate the video heads. Head cleaning is not covered under warranty and is considered normal maintenance.

Inserting or Removing Cassettes



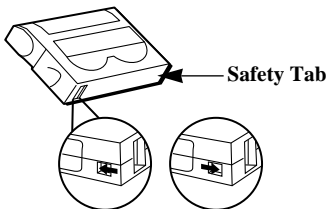
Caution: Insert the cassette so the safety tab is at the top and the tape window is facing out. The cassette should slide easily in the compartment. Do not force the cassette.

1. Attach a power supply.
2. Press the *EJECT* button to open the cassette compartment.
3. Insert the tape so the safety tab is at the top; the flap is at the bottom; and the tape windows face out.
4. Gently press the compartment where it is labeled *PUSH* until it clicks into place. The top closes automatically.

CAUTION: Do not press down on the top or you may damage your camcorder.

Erase Protection — Safety Tab

You can protect your video cassettes from being erased by closing the safety tab. To erase a previous recording, open the safety tab and record over it.



To Prevent Erasure
Close Safety Tab
(Expose Red)

To Record Again
Open Safety Tab
(Red Disappears)

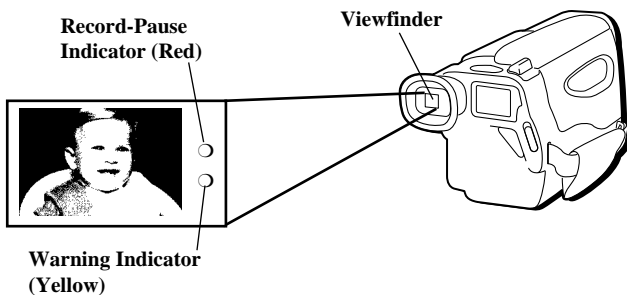
Recording Times

The camcorder records in standard speed (SP). Below are the maximum SP recording times for some 8mm cassettes.

Cassette	Recording Time
P6-15	15 Minutes
P6-20	20 Minutes
P6-45	45 Minutes
P6-60	60 Minutes
P6-90	90 Minutes
P6-120	120 Minutes
P6-150	150 Minutes

Recording Operation

Only the basic steps were discussed in the “First Time Operation” section to set up your camcorder. This section explains in detail how to make a recording.



To Make a Recording:

1. Attach a power supply (AC adapter charger/battery/car cord adapter).
See pages 13-17.
2. Insert a video tape.
3. Push the **POWER** switch upward to turn on the camcorder.
The record-pause indicator (red light) to the right of viewfinder and **REC** and **||** in the LCD window flash. This indicates the camcorder is in the record-pause mode.
4. Make sure the **PLAY/CAM** button is in the **CAMERA** mode. (Red indicator beside button lights.)
5. Look through the viewfinder to see what you are recording.
You may want to slide the viewfinder focus control back and forth until it is set for your own vision.
6. Press the thumb trigger (**REC** button) to begin recording.

The record-pause indicator to the right of the viewfinder and **REC** and **||** in the LCD window stop flashing.

Tips: Use the thumb trigger for brief recording pauses. The camcorder turns off if it remains in record-pause for three minutes. If you plan to stop recording for a longer period, turn the camcorder off.

The recording speed is SP (standard speed).

The shutter speed of 1/60 is fixed.

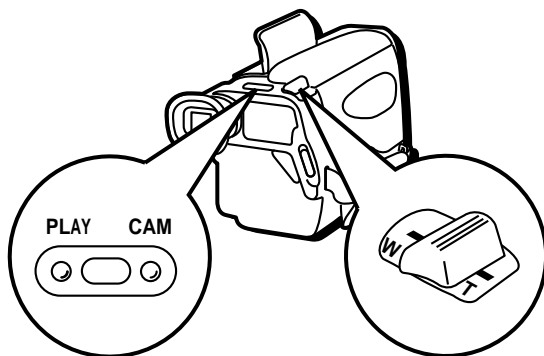
The record-pause indicator (red) shown above flashes when the camcorder is in the record-pause mode. It remains on when the camcorder is recording.

The warning indicator (yellow) shown above flashes when other warnings (flash in LCD window also) occur, including the following :

- Moisture Condensation
- Battery Power
- Tape End
- Clogged/Dirty Video Head

Recording Features

This section explains the features available to enhance your recordings.



Zoom Slide Control

T = Telephoto

W = Wide Angle

***PLAY* (Playback)/*CAM* (Recording) Mode**

This camcorder can be used for recording or playing a tape. Pressing the *PLAY*/*CAM* button toggles between the recording mode and playback mode. The green and red indicators on each side of the button let you know the mode of the camcorder. The red indicator lights when the camcorder is in the *CAMERA*-recording mode and the green indicator lights when the camcorder is in the *PLAY* mode.

Tip: The camcorder must be attached to a TV or TV and VCR for playback.

Zooming

The 3:1 zoom is controlled by the zoom slide control. Just move the control toward the *T* or *W* to set the zoom as desired. The zoom distances are indicated below:

T: Zoom in, focus set at approx.
1.6m or more (close-up shot).

W: Zoom out, focus set at approx.
0.7m or more (wide-angle shot).

Viewfinder

The viewfinder enables you to see what you are recording. The eyepiece focus control moves back and forth so you can set the focus of the viewfinder for your personal vision.

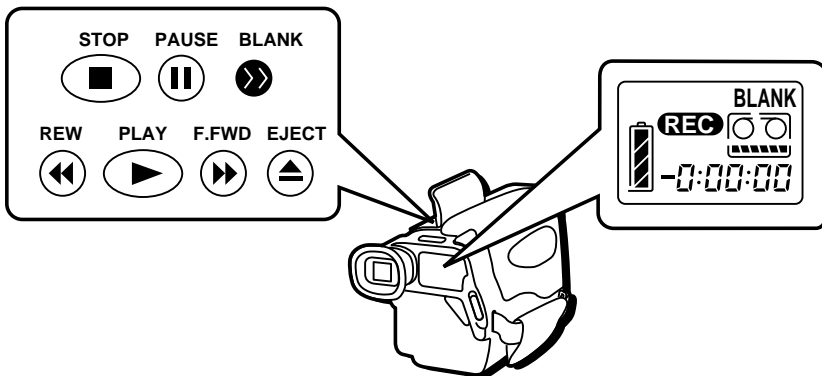
Tip: The eyepiece focus control does not affect the focus of the picture actually recorded by the camcorder.

Flying Erase Head

A separate erase head is mounted on the spinning headwheel (hence the term “flying”). This allows you to make clean edits without the “glitches” or “rainbow noise” that may occur at the beginning and end of recordings.

Microphone

The built-in microphone picks up the sound during a recording. It is more sensitive to sounds coming from the direction the lens is pointed.



Blank Search

With the press of a button, the camcorder advances through the tape for a blank section. This feature saves time and tape by locating the end of the last recorded segment.

1. Place the camcorder in record-pause.
2. Press *BLANK* (located under top control door).

BLANK flashes when searching a recorded portion of the tape. It lights for a blank portion.

The camcorder fast forwards or rewinds the tape to the end of the recorded portion, stops, and enters the record-pause mode.

Tip: Blank search can also be used in the playback (*PLAY*) mode. When the camcorder is being used to play back a tape, just place the camcorder in the stop mode and press *BLANK*.

Time Counter

The time counter appears in the LCD window and shows the actual time elapsed when recording a program or playing back a segment of a prerecorded tape. It helps you locate the end or beginning of programs. Note the time counter reading.

The time counter can only be reset to 0:00:00 in the following conditions:

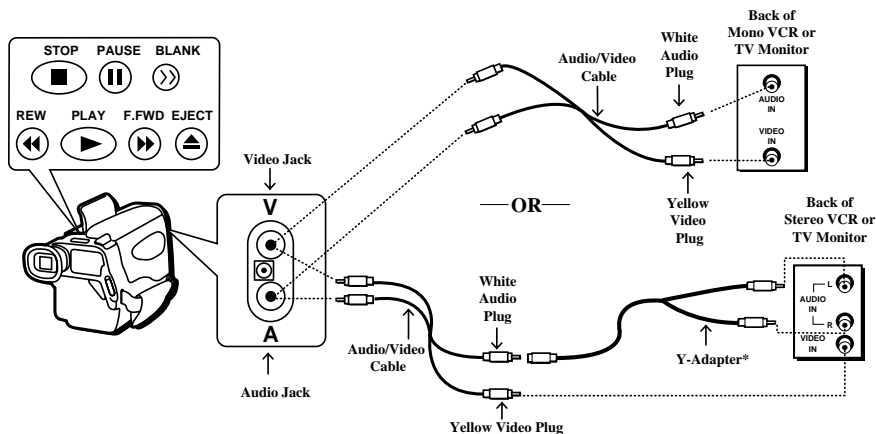
- When the cassette compartment is opened to eject or insert a cassette.
- When power is restored to the camcorder after the battery or AC adapter/charger has been disconnected.

Playback

The basic playback features are described in this section of the manual. Before you can use these features, you must attach your camcorder to a TV (or VCR) to view the playback. Check order form *on page 5* for optional accessories.

Playback on TV (or VCR) with AUDIO/VIDEO IN Jacks

To connect your camcorder to a TV monitor (or VCR) with *AUDIO/VIDEO IN* jacks, you need an audio/video cable and maybe a Y-adaptor. If your TV is already connected to a VCR, just attach the camcorder to the VCR.



* Optional accessories are available from your dealer, local electronics store, or mail order. *Order form is on page 5.*

Playback Operation

1. Camcorder connected to TV:

Turn on the TV and tune it to the video input channel.

Camcorder connected to VCR that is connected to TV:

Turn on VCR and place it in the “line” or “camera mode”. (If your VCR does not have a “line” or “camera mode”, consult the VCR owner’s manual.) Operate the TV as you normally do to see the signal coming from the VCR.

2. Attach a power supply and turn on the camcorder.

3. Insert a tape.

4. Press the *PLAY/CAM* button to turn on *PLAY* mode.

The green indicator lights.

5. Press *PLAY*.

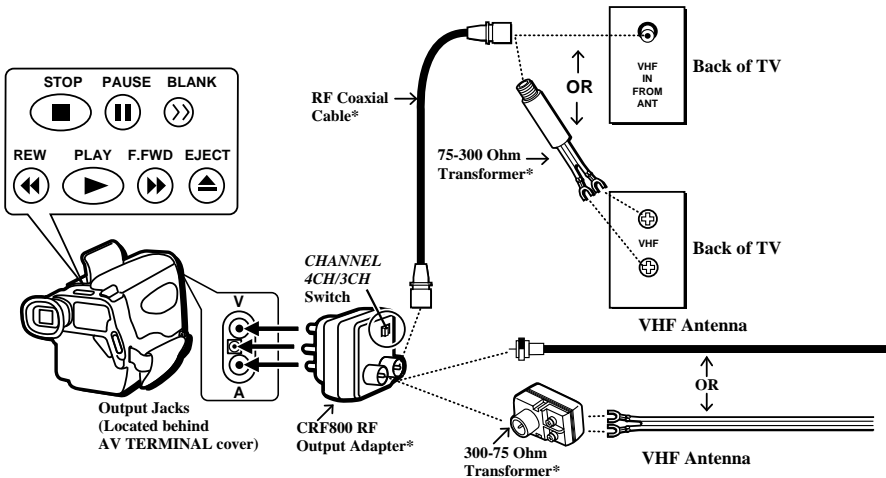
During playback, use the playback features *described on page 24*.

6. Press *STOP* when you are finished.

Tip: This same connection can be used if you want to watch what the camcorder is seeing or recording on the TV screen. Remember to remove the tape unless you are recording. Just place the *PLAY/CAM* button in the *CAMERA* mode and press the thumb trigger.

Playback on a TV Using the Antenna Connector

To connect your camcorder to a TV without audio/video inputs, additional accessories are required for this connection.



* Optional accessories are available from your dealer, local electronics store, or mail order. *Order form is on page 5.*

Playback Operation

1. Set the *CHANNEL 4CH/3CH* switch on the RF output adapter to channel 3 or 4.
2. Turn on the TV, and tune it to channel 3 or 4—same as RF output adapter.
3. Attach a power supply and turn on the camcorder.
4. Insert a tape.
5. Press the *PLAY/CAM* button to turn on *PLAY* mode.
The green indicator lights.

6. Press *PLAY*.

During playback, use the playback features *described on page 24*.

7. Press *STOP* on the camcorder when you are finished.

Watch What the Camcorder is Seeing (Or Recording)

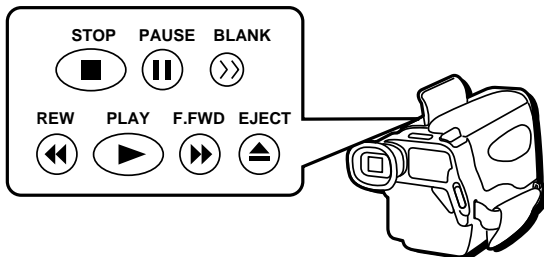
1. Tune the TV to channel 3 or 4.
Tip: Turn down the TV's volume to prevent a high-pitched squeal caused by feedback.
2. Set the *CHANNEL 4CH/3CH* switch on the RF output adapter to the same channel you selected on the TV.
3. Press the *PLAY/CAM* button to turn on the *CAMERA* mode.
4. Press the thumb trigger to watch what the camcorder is seeing (or recording) on the TV screen.

Normal TV Viewing

For normal TV viewing, leave the RF output adapter hooked to the TV. Disconnect the adapter from the camcorder or turn off the camcorder.

Playback Features

The playback features described below are used when you connect your camcorder to a TV with or without *AUDIO/VIDEO* jacks as described on pages 22 and 23. The buttons are located under the control panel on top of the camcorder.



Picture Search

During playback, you can search through the tape quickly by using the *F.FWD* (fast forward) or *REW* (rewind) button.

- Press and hold *F.FWD* or *REW* if you want to search the tape visually in forward or reverse. Release the button to return to normal playback.

Fast Forward or Rewind

While in the stop position, press and quickly release *REW* (rewind) or *F.FWD* (fast forward) button to rewind or fast-forward the tape.

Stop-Action Pause

Press *PAUSE* during play to stop the tape and view the details of a scene. Press *PAUSE* or *PLAY* to return to normal playback.

Tip: Pause is designed for momentary interruptions and should not be used for an extended period of time. If the camcorder remains in pause for more than three minutes, it will turn off to prevent excessive tape wear.

Care and Maintenance

- Keep dust and grit from entering the camcorder's cassette door. Dust and grit are abrasive and will cause excessive wear to both the camcorder's recording/playback heads and cassettes.
- Wipe the lens gently with a cleaning tissue and commercially prepared cleaning solution designed for camera lens. Do not touch the lens with your fingers. The oil from your skin can damage the lens or improper cleaning may scratch the lens.
- Retain the original carton for future storage or shipping purposes.
- Before handling your camcorder, make sure your hands and face are free from any chemical products such as suntan lotion, as it may damage the finish.
- The camcorder can be damaged by improper storage or handling. Do not subject the camcorder to swinging, shaking, or dropping.
- When the camcorder is not in use, always remove the cassette and AC adapter/charger or battery.
- Do not store the camcorder in temperatures below -4°F (-20°C) or above 140°F (60°C).


Things to Avoid



- Do not attempt to disassemble your camcorder. There are no user-serviceable parts inside.
- Avoid operating your camcorder immediately after moving it from a cold location to a warm location. Give the camcorder 1-1/2 to 2 hours to reach a stable temperature before inserting a cassette. When the camcorder is moved from cold to warm, condensation may cause the tape to stick to the headwheel and damage the headwheel or tape.
- Do not expose the camcorder or adapter/charger to rain or moisture. If either component becomes wet, turn off the power and take the unit to an Authorized GE Camcorder Servicer.
- Do not aim your camcorder at the sun or other bright objects.
- Do not leave your camcorder in direct sunlight for extended periods of time. The resulting heat buildup could permanently damage the camcorder's internal parts.
- Do not operate the camcorder in extremely humid environments.
- Do not operate the camcorder near the ocean as salt water or salt water spray may damage the internal parts of the camcorder.
- Do not operate the camcorder for extended periods in temperatures below 32°F (0°C) or above 104°F (40°C).
- Do not use an adapter/charger or batteries other than the ones specified for the camcorder. Use of the wrong accessories may cause damage to the camcorder.

Trouble Checks

Troubles sometimes are caused by simple “faults” that you can easily correct without the help of a service technician by first checking a few basic remedies.

Before you call or take your camcorder to an Authorized GE Camcorder Servicenter, look below for the type of trouble you are experiencing. Then perform the simple checks and adjustments listed for that trouble.

Trouble	Checks and Adjustments
No power	<ul style="list-style-type: none">• Slide the <i>POWER</i> switch upward to turn on the camcorder.• If using battery, it may need to be recharged.• If using AC adapter/charger, make sure it is plugged into a working outlet.
Won't record or playback	<ul style="list-style-type: none">• If the dew indicator () flashes in the LCD window, there is moisture in the camcorder. Wait until the dew indicator no longer appears before operating the camcorder.• Make sure the <i>PLAY/CAM</i> button is in the <i>CAMERA</i> or <i>PLAY</i> mode. <i>Details on page 20.</i>• No cassette in the camcorder.• Try ejecting and re-inserting the cassette.• The cassette tape may be broken, try another cassette.• You may have reached the end of the cassette, try rewinding it.
Won't playback	<ul style="list-style-type: none">• The <i>PLAY/CAM</i> button must be in the <i>PLAY</i> mode.
Won't record	<ul style="list-style-type: none">• Safety tab has been closed. <i>See page 18.</i>• <i>PLAY/CAM</i> button must be in <i>CAMERA</i> mode.
Camcorder turns itself off	<ul style="list-style-type: none">• Slide the <i>POWER</i> switch upward to turn on the camcorder. If camcorder is left in record-pause or play-pause for several minutes, it will turn itself off to prevent tape wear.
Camcorder remains in pause mode	<ul style="list-style-type: none">• Press <i>PLAY</i> or <i>PAUSE</i> to return to normal playback.
Sound is too low or distorted	<ul style="list-style-type: none">• Subject was too far from camcorder.

Trouble	Checks and Adjustments
Dew indicator flashing in the LCD window	<ul style="list-style-type: none"> • If the dew indicator () flashes in the LCD window, there is moisture in the camcorder. Wait until this indicator no longer appears before operating the camcorder.
Viewfinder displays are not clear	<ul style="list-style-type: none"> • Lens may be smudged and need to be cleaned. <i>See the “Care and Maintenance” section on page 25.</i>
Vertical white lines appear when shooting bright object	<ul style="list-style-type: none"> • This may occur when background extremely contrasts with the subject.
Cannot see video during playback	<ul style="list-style-type: none"> • Camcorder must be connected to a TV (or VCR) to see video during playback.
() indicator flashing in LCD window	<ul style="list-style-type: none"> • The camcorder’s video head is clogged or dirty. Contact an Authorized GE Camcorder Servicer.

Information to User

This device complies with Part 15 of the FCC Rules. Operation is subject to the following two conditions: (1) This device may not cause harmful interference, and (2) this device must accept any interference received, including interference that may cause undesired operation.

This equipment has been tested and found to comply with the limits for a Class B digital device, pursuant to Part 15 of the FCC Rules. These limits are designed to provide reasonable protection against harmful interference in a residential installation. This equipment generates, uses, and can radiate radio frequency energy and, if not installed and used in accordance with the instructions, may cause harmful interference to radio communications. However, there is no guarantee that interference will not occur in a particular installation. If this equipment does cause harmful interference to radio or

television reception, which can be determined by turning the equipment off and on, the user is encouraged to try to correct the interference by one or more of the following measures:

- Reorient or relocate the receiving antenna.
- Increase the separation between the equipment and receiver.
- Connect the equipment into an outlet on a circuit different from that to which the receiver is connected.
- Consult the dealer or an experienced radio/TV technician for help.

Alterations or modifications carried out without appropriate authorization may invalidate the user’s FCC right to operate the equipment.

Specifications

Camcorder

Television system:	NTSC, EIA
Video Recording system:	Rotating 2-head, helical-scan system
Audio recording system:	Rotating head, FM system
Cassette type:	8 mm video cassette tape
Tape speed:	SP mode - Approx. 14.345 mm/sec.
Maximum recording time:	120 minutes (P6-120 cassette)
Image Sensor:	CCD solid-state type
Viewfinder:	Optical viewfinder
Lens:	3x zoom F2.4-3.5
Focus:	Fixed
White balance:	Fuzzy logic auto white balance
Iris:	Fuzzy logic auto iris
Power supply:	6V - battery 6.5V - AC adapter/charger
Power consumption:	4.5W during recording
Operating temperature range:	0°C to 40°C (32°F to 104°F)
Storage temperature range:	-20°C to 60°C (-4°F to 140°F)
Dimensions (W x H x D)	Approx. 93 x 105 x 182 mm
Weight:	Approx. 630g (excluding battery and tape)

AC Adapter/Charger

Rated output:	When connected to the camcorder: 6.5V, 1.7A When recharging a battery pack: 10V, 1.3A
Power requirement:	AC 100V - 240V, 50/60 Hz
Power consumption:	24W
Dimensions (W x H x D):	Approx. 72 x 39 x 156 mm
Weight:	Approx. 300g

This digital apparatus does not exceed the Class B limits for radio noise emissions from digital apparatus as set out in the interference-causing equipment standard entitled “Digital Apparatus”, ICES-003 of the Department of Communications.

Cet appareil numérique respecte les limites de bruits radioélectriques applicables aux appareils numériques de Classe B prescrites dans la norme sur le matériel brouilleur: “Appareils Numériques”, NMB-003 édictée par le ministre des Communications.

Limited Warranty

What your warranty covers:

- Any defect in material or workmanship.

For how long after your purchase:

- Ninety days for labor charges.
- One year for parts. (The warranty period for rental units begins with the first rental.)

What we will do:

- Pay any Authorized GE Camcorder Servicenter the labor charges to repair your camcorder.
- Pay any Authorized GE Camcorder Servicenter for the new or, at our option, refurbished replacement parts required to repair your camcorder.

How you get service:

- Check with your GE Camcorder Dealer or call 1-800-447-1700 for the Authorized GE Camcorder Servicenter nearest you. State that you have a GE camcorder.

If an Authorized GE Camcorder Servicenter is conveniently near you:

- Take your camcorder to the Authorized GE Camcorder Servicenter of your choice.
- Show the service center representative your sales receipt or other evidence of purchase date.
- Pick up your camcorder when repairs are completed.

If an Authorized GE Camcorder Servicenter is not located conveniently near you:

- Pack the camcorder so that it will not be damaged during shipping. (We recommend using the original carton and packing materials.) Include any cables and other accessories originally furnished with the camcorder.
- Include in the camcorder carton (1) a copy of your sales receipt or other evidence of purchase date, (2) your name and address, and (3) a brief description of the problem.

- Ship the camcorder to an Authorized GE Camcorder Servicenter.
- Pay any charges billed to you by the Servicenter for service not covered by the warranty.

What your warranty *does not* cover:

- Customer instruction. (Your owner's manual clearly describes how to install, adjust, and operate your camcorder. Any additional information should be obtained from your dealer.)
- Installation and related adjustments.
- Cleaning of video/audio heads.
- Damage from misuse or neglect.
- Battery for clock or other features.
- A camcorder that has been modified or incorporated into other products or is used for institutional or other commercial purposes.
- A camcorder purchased or serviced outside the USA.
- Acts of God, such as but not limited to lightning damage.

Product Registration:

- Please complete and mail the *product registration card* packed with your camcorder. It will make it easier to contact you should it ever be necessary. The return of the card is not required for warranty coverage.

How state law relates to this warranty:

- This warranty gives you specific legal rights and you also may have other rights that vary from state to state.

What if you purchased your camcorder outside the United States:

- Contact your dealer for warranty information.

Index

A

- AC Adapter/Charger
 - Attaching the 9,13
 - Safety Instructions iii
 - Using the 9,13
- Accessories
 - Included 8
 - Optional 3-7
 - Order Form 5-6
- Adjusting the Hand Strap 9
- AUDIO/RF DC/VIDEO OUT*
 - Jacks 11,22,23
- Audio/Video Cables 4,22,

B

- Battery
 - Care and Storage 16
 - Charging 14
 - Charging/Operating Times 16
 - Compartment 9,11,15
 - Installing the 9,15
 - Level Indicator 12,15
 - Marker Switch 14
 - Refreshing 14
 - Removing 9,15
 - Using the 9,14-16
- BLANK* Button 11,21
- Blank Search 21

C

- Camcorder
 - Care and Maintenance 25
 - Cleaning 25
 - Controls 11,12
 - Powering 13-17
 - Turning On and Off 10,19
 - Unpacking 8
- CAM/PLAY* Button 10,19,20,22,23
- Car Cord Adapter 3,17
- Care and Maintenance 25
- Care and Storage of Battery 16
- Carrying Case 3
- Cassette Compartment Door . . 10,11,18

- Cassette Safety Tab 18
- Cassettes, Inserting/Removing . . 10,18
- Charging the Battery 14
- Checking Problems 26-27
- Cleaning the Camcorder 25
- Contents 1

D

- Design Specifications 28
- Dew Warning 12

E

- EJECT* Button 10,11,18
- Erase Protection 18

F

- F.FWD* (Fast Forward) Button 24
- First-Time Operation 8-12
- Flying Erase Head 20
- Focus Control, Viewfinder . . . 10,11,20

H

- Handstrap, Adjusting 9
- Head Clog Warning 12

I

- Included Accessories 8
- Information to User 27
- Inserting/Removing Cassettes 18

L

- LCD Window 11,12
- Lens 11,25
- Lens Cap Cord 8,9
- Lens, Cleaning 25
- Limited Warranty 29

M

- Maintenance and Care 25
- Microphone 11,20

O

- OPEN-BATT* Button 9,11,13,15,17
- Operation
 - First-Time 8-10
 - Recording 19
- Optional Accessories 3-4
- Order Form, Accessory 5-6

P

<i>PAUSE</i> Button	24
Pause, Stop-Action	24
Picture Search	24
<i>PLAY</i> Button	22-24
<i>PLAY/CAM</i> Button	10,19,20,22,23
Playback Controls	24
Playback Features	24
Playback on a TV Using the Antenna Connector	23
Playback on a TV With <i>AUDIO/</i> <i>VIDEO IN</i> Jacks	22
Plug Adapter, Optional	13
<i>POWER</i> Switch	10,11,19
Powering the Camcorder	13-17
Problem Solving	26-27
Product Registration	i

R

Record-Pause Indicator	10,12,19
Record Start/Stop Button	10,11,19
Recording and Traveling Tips	2
Recording	
Features	20,21
First-Time Operation	8-10
Operation	19
Speed	18
Times	18
Refreshing the Battery	14
Registration Card	i
<i>REW</i> (Rewind) Button	24
RF Cables	4,23
<i>RF DC/VIDEO/AUDIO OUT</i>	
Jacks	11,23
RF Output Adapter, Optional	3,23

S

Safety Instructions, AC Adapter/ Charger	iii
Safety Precautions	i-ii
Safety Tab	18
Search, Picture	24
Shoulder Strap	3

Shoulder Strap Attachment Rings	11
Solving Problems	26-27
Specifications	28
Speed	
Recording	18
Playback	18
Status Displays	12
<i>STOP</i> Button	24
Stop-Action Pause	24

T

<i>T</i> (Telephoto) Zoom Button	11,20
Table of Contents	1
Tape End Warning	12,19
Tape Remaining Indicators	12
Things to Avoid	25
Thumb Trigger	10,11,19
Time Counter Display	12,21
Tips, Traveling and Recording	2
Transformers	4
Traveling and Recording Tips	2
Tripod, Using	4
Trouble Checks	26-27
Turning On the Camcorder	10

U

Unpacking the Camcorder	8
User Information	27

V

Video Cassettes	18
<i>VIDEO/RF DC/AUDIO OUT</i>	
Jacks	11,22,23
Viewfinder	10,11,19,20

W

<i>W</i> (Wide Angle) Zoom Button	11,20
Warning Indicator	12,19
Warranty, Limited	29

Y

Y-adapter	4,22
-----------	------

Z

Zoom Slide Control	11,20
Zooming	20

For your nearest GE Dealer
or Authorized Servicenter
call toll-free in the U.S.A.

1-800-447-1700

Canadian Consumers –
Your toll-free numbers are:

English: 1-800-522-0338

French: 1-800-522-0445

If your camcorder needs service, please contact your dealer or the nearest Servicenter from the yellow pages. Please do not send any products to the Indianapolis address listed in this manual or on the carton. This will only add delays in service for your product.

 **THOMSON CONSUMER ELECTRONICS**
10330 N. Meridian
Indianapolis, IN 46290

©1994 Thomson Consumer Electronics, Inc.
Trademark(s) [®] Registered
Marca(s) Registrada(s)
Printed in Japan

Part Number 94-CG400-1